

SYNC 2 • Continuous Motion Servo Side Seal Wrapper

*Reliability, Flexibility and Affordability Fused
with Modern Shrinkwrapping Conveniences*



- *Fast: 100 feet per minute*
- *Flexible: large package capability*
- *Safe: all moving parts are guarded*
- *Compact Footprint: efficient use of space*

MADE IN USA



High Performance Automatic Shrink Packaging Systems

SYNC 2 • Continuous Motion Servo Side Seal Wrapper

Conflex® ... Flexible People make Flexible Systems

Engineered for maximum flexibility, reliability and performance. Conflex® shrink packaging equipment incorporates leading-edge technology to take on the toughest shrink packaging challenges.

Value Priced – Versatile and Flexible

The Conflex® SYNC 2 second generation continues its reputation as the shrink wrapping industry's best value! The combination of high speed servo motion, modern easy to use controls and time tested machine design make the SYNC 2 the perfect shrink wrapper for automatic applications. Conflex® makes the SYNC 2 the smart choice for shrink wrapping solutions.

Conflex® SYNC 2 Features and Benefits

- **Continuous Motion Cross Seal** - Servo and FAST!
- **Color HMI Touch Screen** - Provides intuitive, operator-friendly product setups in three languages
- **Easy Load Film Cradle** - The fast threading process makes changeovers more efficient
- **Self-Tracking Belts** - Eliminates tracking issues and reduces maintenance (infeed & transfer only)
- **Open Access/Swing-Out Inverting Head** - Allows fast film threading
- **Mushroom Style Cross Seal** - Provides positive hot knife sealing on most films
- **UL Listed Electronics** - For dependable operation
- **Casters and Leg Levelers** - Standard equipment
- **4 Modes of operation** - provides a variety of product spacing opportunities
- **Multiple Options Available** - Left-to-right product flow, stainless steel and other customizable options available
- **Allen Bradley Electronics**

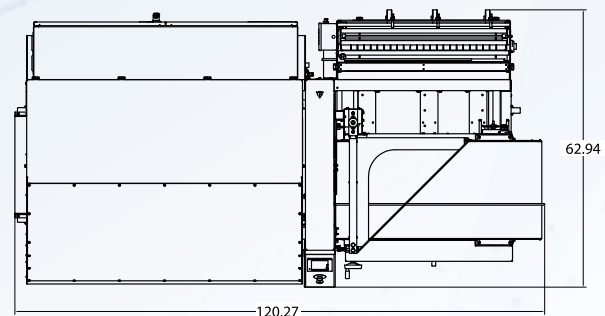
Conflex® SYNC 2 Specifications

Electrical Requirements	220V, 20 Amps, 3 Phase
Air Requirements	80 psi, 3cfm
Seal Bar Width and Height	24" wide, 10" high
Maximum Film Width	30"
Maximum Roll Diameter	14"
Overall Machine Dimensions	120" L x 57.5" W x 59.5" H
Maximum Operating Speeds	100' film per minute
Deck Height on Casters	34.75"
Package Dimensions*	3" L to unlimited L 1" W to 22" W** 1/8" H to 10" H

*May require additional components and set-up time to run the entire size range

** Product dependent

Conflex® SYNC 2 Plan View



The Conflex® engineering department is available to customize machinery for special product applications.



Conflex Incorporated
Manufacturing Facility:
W130 N 10751 Washington Drive
Germantown, WI 53022

Toll Free: 800-225-4296
Fax: 262-512-1665
Email: info@conflex.com
www.conflex.com



Distributed By: